

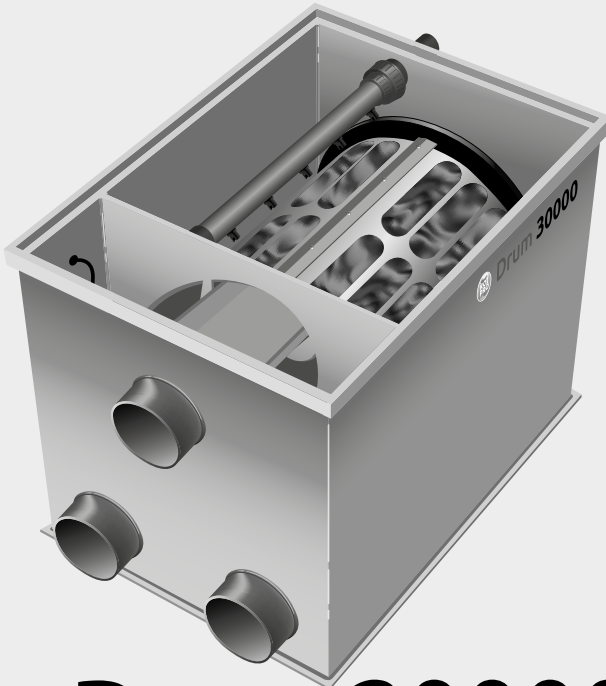
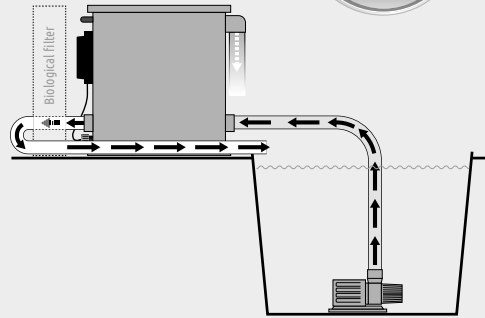


User manual

Gebrauchsanweisung

Mode d'emploi

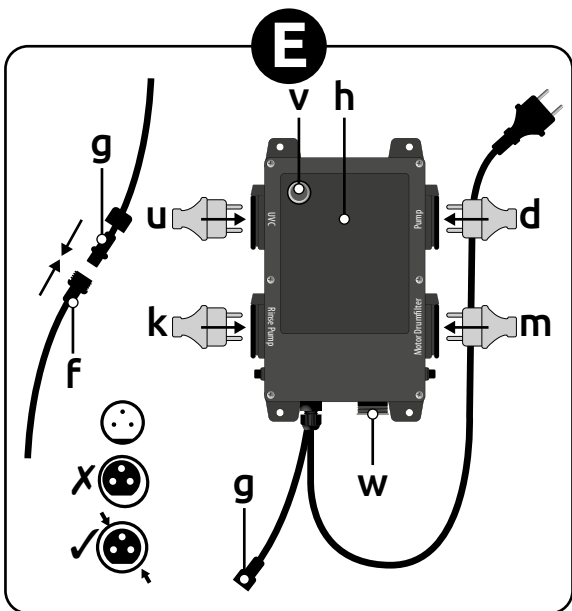
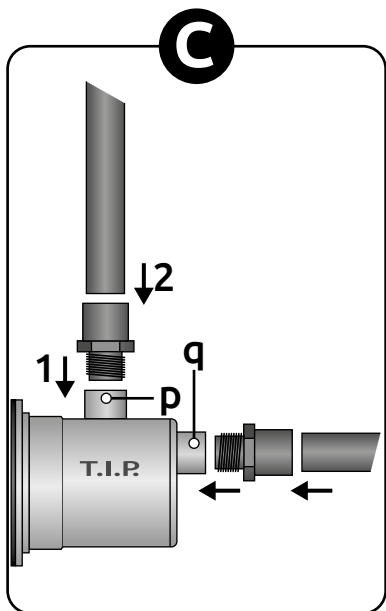
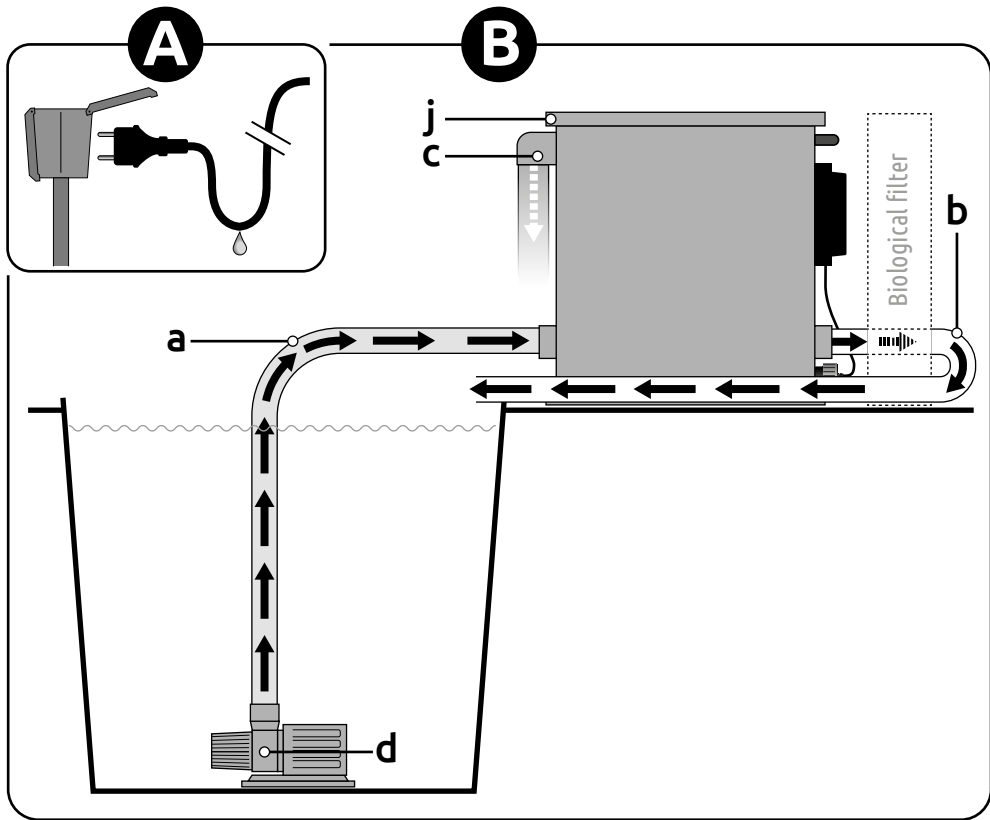
Gebruiksaanwijzing



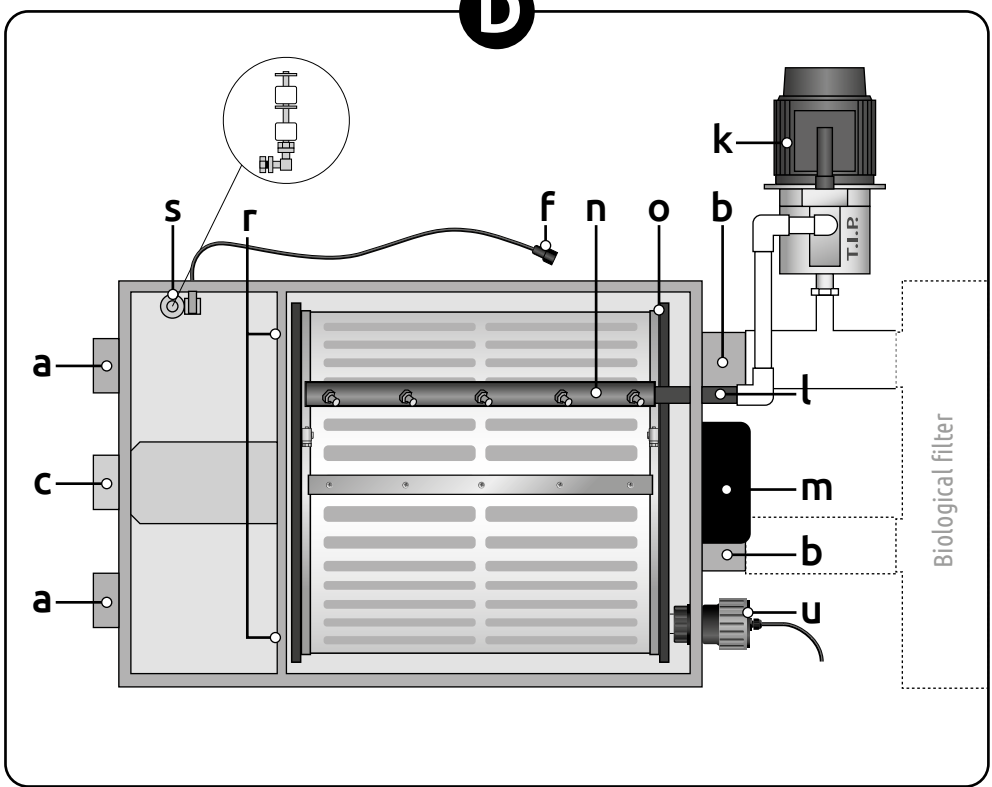
Drum 30000 Pump fed Pre-Filter

Pump fed drum filter - Pumpengespeister Trommelfilter

Filtre à tambour alimenté par pompe - Pompevoede trommelfilter

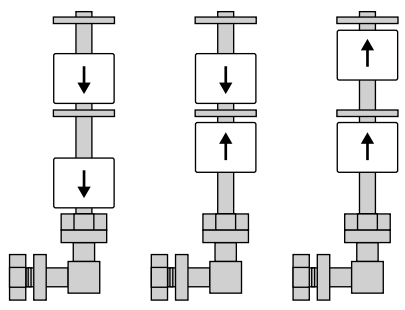


D

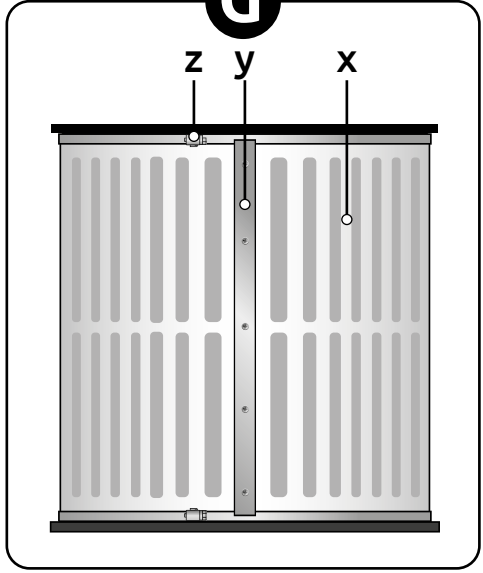


F

Filtration mode	Cleaning mode	Safety mode
Filtrationsmodus	Reinigungsmodus	Sicherheitsmodus
Mode de filtration	Mode de nettoyage	Mode de sécurité
Filtratiemodus	Reinigingsmodus	Veiligheidsmodus



G



SuperFish Koi Pro Drum 30000 Pump fed pre-filter.

General instructions



Read this manual carefully before using this device. Keep this manual for future reference.

Meaning of symbols

The following warning symbols and/or signal words are used in this manual:



DANGER!

This means an imminent danger due to electric current. Failure to follow the safety instructions can result in serious or fatal injury and/or serious damage to the product or environment.



WARNING!

This means a dangerous situation. Failure to follow the safety instructions can result in moderate or minor personal injury and/or damage to the product or environment.



NOTE!

This means caution, useful information or advice.

Fig. ... This refers to the relevant drawing ... on pages 2 and 3 of this manual.

Meaning of the symbols on the device itself:



Risk of electric shock. Connect only to an earthed electrical outlet, protected by a residual-current device (RCD)/ ground-fault-circuit-interrupter (GFCI).



This device complies with all applicable EU standards.



This device may not be disposed of with normal household waste but must be collected separately for recycling.

Use

Drum filter, suitable as pre-filter for a pump fed biological filtration system for Koi and fish ponds up to 30,000 litres.



- Suitable for water temperatures of minimum 4°C to maximum 40°C. At water temperatures below or above these values, the device must be completely disconnected from the power supply
- If water inside the filter freezes, drain off the water and ensure that the filter is dry.
- Do not use for filtration of salt water, sewage water, flammable, corrosive and/or explosive liquids (e.g. petroleum, petrol, solvents), fats, oils or foodstuffs.
- Never run the device without water.
- Do not use for swimming pools and do not connect to drinking water supplies.
- Place the filter in a dry and sheltered place. Not in direct sunlight.

Safety

Always follow the safety instructions below for safe use of the device. Failure to follow these instructions may endanger persons or the environment.

Please refer to the user manual for the immersion UVC to ensure the specific safety instructions are followed.



- This device must be supplied through a residual current device (RCD) having a rated residual operating current not exceeding 30 mA.
- Ensure the voltage shown on the label matches the mains supply voltage.
- This device must be connected to a socket which is earthed.
- Protect the socket and plugs against moisture. Use a drip loop to ensure that water can not reach the sockets and control box via the cords (see *Fig. A*).
- Place the control box in a dry place, to ensure protection from moisture and flooding.
- Don't use the device if any electrical components, cords or plugs are damaged. A damaged cord or plug cannot be replaced. Replace the complete part or return the device to your dealer for repair or recycling.
- Be careful with the combination of water and electricity. Do not operate with wet hands. Dry hands before carrying out maintenance.
- Always switch off all devices in the pond before maintenance. Disconnect the plug(s) from the socket.
- When removing the lid for maintenance, always switch off the appliance and unplug the control box.



- This device contains rotating parts, prevent loose clothing, long hair and jewellery from being trapped.
- This device may only be switched on if there is sufficient water flow.
- In the event of frost or the risk of frost, appropriate precautions must be taken to prevent it from freezing.
- This device can be used by children aged from 8 years and above, persons with reduced physical, sensory or mental capabilities or lack of experience and knowledge, if they have been given supervision or instructions concerning the use of the device in a safe way and understand the hazards involved. Children shall not play with the device. Cleaning and maintenance of the device shall not be done by children without supervision.
- Modifications to the device may affect the safety. The warranty will also expire.
- Aquadistri is not liable for any problems, damage or accidents due to incorrect use of this device.

Function

Complete low-maintenance pre-filter system, consisting of a chamber with a drum filter and UVC. The drum filter works as a pre-filter removing from out of the water using a sieve mechanism. If the screen is saturated with dirt, an automatic spray system rinses the screen clean and the dirt runs into a drain. The built-in UVC reduces algae growth.

Installation

Fig. B Determine the location of the filter. Provide a dry sheltered place (not in direct sunlight) and a stable flat surface with sufficient space around for maintenance.

- ⚠ **NOTE!** Ensure that the filter is fully supported, level and above the water level of the pond.
 - Place a suitable pump (max. pump capacity 17,500 L/h) preferably in the deepest part of the pond.
 - Connect the pump to one of the inlets (a) (ø 110 mm) of the filter using a flexible socket. Close the other inlet with the cap provided.
- ⚠ **NOTE!** The pipe connections (ø 110 mm) on the filter can NOT be glued, use flexible rubber sockets.
 - Connect both outlets (b) (ø 110 mm) to a biological filter using flexible sockets.
 - Connect the drain channel (c) (ø 110 mm) to a drain (e.g. sewer) using a flexible socket.

Fig. C Connect the T.I.P. rinse pump (k) to the spray system (l). See also the user manual for the T.I.P. pump.

- Screw an adapter PVC pipe fitting (32/40 x 1" PN16) by hand into the pressure port (p) so that you can connect a PVC pipe (ø 32 mm) to the intake pipe (l) of the spray system.
- Also screw an adapter PVC pipe fitting into the suction port (q) so that you can connect a PVC pipe (ø 32 mm) to the pipe between the drum filter and the biological filter using a T-piece.
- ⚠ **NOTE!** Make sure the rinse pump is switched on when the system becomes operational. The on/off switch is located at the top of the rinse pump.

Fig. D Install the immersion UVC (u) (check the separate user manual of the UVC for correct installation).

- Switch the pond pump on to fill the filter with water and check all connections, pipes, etc. for any leaks. Then switch the pond pump off again.
- Check if the immersion UVC is completely underwater. The UVC may only be switched on if it is completely submerged.

Fig. E Place the control box (h) in a safe and dry place near the filter.

- Connect the cable (f) of the floater (s) with the cable (g) of the control box. This DMX connection is watertight and therefore sometimes difficult to fit (if required, squeeze the outside of the mating plug (f) while inserting the other plug). Tighten the union nut hand-tight.
- Insert the plugs of the rinse pump (k), immersion UVC (u), electro motor (m) and pond pump (d) into the appropriate sockets on the control box. See markings on the control box. Provide the cables with drip loops so that no water can run along the cables into the control box.
- Plug the control box into the socket, making sure there is a drip loop here as well.
- Activate the system with the switch (w) on the bottom of the control box. The pond pump and UVC are now activated
- The filter fills up to the lowest position of the floater (Filtration mode).

Fig. F The floater has three different switching positions. The lowest position is the normal Filtration Mode (pond pump and UVC are switched on) the middle position is the Cleaning Mode (pond pump, UVC and the electro motor and rinse pump are switched on). The highest position is the Safety mode (everything is switched off/ level protection) This floater is set to the correct height and is not adjustable.

- Now manually check the operation of the electro motor and rinse pump (cleaning mode). Press and hold the push button (v) on the control box for 10 seconds. The drum (o) starts rotating and the spraying system (n) sprays the screen clean with high pressure. The rinse water and dirt are collected in the drain (c).
- This Cleaning Mode activates automatically every 20 to 30 minutes. As the screen becomes saturated with dirt,

the water level in the front chamber rises, causing the floater to activate the Clean Mode. The drum rotates and the screen is cleaned under high pressure. The water level then drops again, activating the Filtration mode.

- ⚠️ **NOTE!** In the beginning (after installation and start-up of the pond) the flushing operation will be shorter. As the contamination with floating debris decreases, the time between flushes will increase.
- Should the water level in the front chamber continue to rise, the floater automatically activates Safety mode. The pond pump, UVC, rinse pump and electro motor are switched off.
- ⚠️ **NOTE!** The screen is automatically rinsed with water from the filter, therefore the filter system requires little maintenance. However, the water level of the pond must be replenished daily. This can be up to 100 litres per day, depending on the number of rinses.
- The water flows via both outlets (b) into the biological filter.
- Place the cover (j) on the housing. When removing the cover, always disconnect the power supply!

Maintenance

- The drum filter requires monthly maintenance.
- ⚠️ Remove the plug/plugs from the mains before carrying out maintenance!
- Remove the cover from the housing.
- Turn the drum by hand and check the screen panel for wear and tear and any damage (see text: Replacing the screen panel for more information).
- Check the drain channel and remove any dirt or blanket weed that may have accumulated.
- Check the separate user manual for maintenance of the UVC.

Replacing the screen panel

- In case of wear or damage, the screen panel should be replaced as soon as possible to ensure optimum filter performance.
- ⚠️ Remove the plug(s) from the socket and close the water circuit.
- Remove the lid from the housing.
- Ensure that the water can flow out of the filter.

Fig. G Turn the drum by hand until the mounting strip (y) and both clamping straps (z) point upwards.

- Remove the mounting strip by unscrewing the screws and loosen the clamping straps.
- Remove the screen panel (x).
- Insert the new screen panel and reinstall the clamping straps and mounting strip correctly.
- Turn the drum by hand and verify that everything is fixed correctly.
- Place the lid back on the housing.
- Restore the water circuit and plug in again.
- Press and hold the push button (v) on the control box for 10 seconds so that the electro motor and spraying system are activated again.

Protection of electro motor by means of friction clutch

- The drive shaft of the electro motor is protected by means of a friction clutch. If the drum becomes jammed, the friction clutch is automatically activated to prevent the electric motor from burning out.



- Remove the plug(s) from the mains and remove the lid from the housing.
- First, investigate why the drum is blocked and make sure the drum can rotate freely again.
- Thereafter you can release the protection by retightening the locknut on the drive shaft with a torque spanner set at 65 Nm.



- **NOTE!** Never tighten the locknut with a normal spanner. If in doubt, always consult a qualified technician!
- Remove the cover of the electric motor (m).
- Set the torque spanner to a tightening torque of 65 Nm.
- Place the torque spanner on the M10 locknut. The locknut is located on the drive shaft at the back of the motor.
- Hold the drum with your hand and tighten the locknut with the torque spanner.
- Check that the friction clutch is deactivated. Turn the drum by hand and check that the drive shaft rotates with it.
- Place the cover back on the electro motor, the lid on the housing and plug(s) back into the mains.

Bypass of the drum filter

- The drum filter can be bypassed in case of a treatment or technical challenge.




- Switch off the control box and remove the lid from the housing.
- Remove the red caps (r) from the wall between the front chamber and the drum section.
- Remove the plug of the pond pump from the control box and plug it directly into another socket.
- The water will now flow through these holes into the drum filter section and from there into the biological filter.




- **Note!** The control box is switched off, which means that the level protection no longer works either!

Recycling

 This symbol indicates that this product (if it is discarded) may not be disposed of with normal household waste. Instead it must be handed in at an official collection centre (e.g. HWRC). Or can be returned to the dealer when purchasing a similar new product. Follow the applicable rules in your country for the separate collection of electrical and electronic products.

Separate collection and recycling are better for the environment, public health and reduces waste.

Warranty

 2 years manufacturer's warranty on materials and construction defects. Devices must be returned complete with all components, accompanied with an official proof of purchase confirming a purchase date for any warranty claims. Incomplete devices of which parts are missing, and devices without proof of purchase are not eligible for warranty. After receiving and checking, we will determine whether the device will be repaired or replaced. For a device repaired or replaced under warranty, the remaining time of the original warranty period applies. Carefully read the instructions on installation, use and maintenance. Damage due to incorrect use, damage due to contamination or not cleaning the device, glass breakage and damage to the cord are not covered by the warranty. **Always keep the proof of purchase, without proof of purchase the warranty will be void!**

SuperFish Koi Pro Drum 30000 Pumpengespeister Vorfilter.

Allgemeine Anweisung



Lesen Sie dieses Handbuch sorgfältig durch, bevor Sie das Gerät verwenden. Bewahren Sie dieses Handbuch für den späteren Gebrauch auf.

Bedeutung der Symbole

Die folgenden Warnsymbole und/oder Signalwörter werden in diesem Handbuch verwendet:



GEFAHR!

Dies bedeutet eine unmittelbare Gefahr durch Stromschlag. Die Nichtbeachtung der Sicherheitshinweise kann zu schweren oder tödlichen Verletzungen und/oder schweren Schäden am Produkt oder der Umgebung führen.



WARNUNG!

Dies bedeutet eine gefährliche Situation. Die Nichtbeachtung der Sicherheitshinweise kann zu leichten bis mittelschweren Personenschäden und/oder Schäden am Produkt oder der Umgebung führen.



ACHTUNG!

Dies bedeutet Vorsicht, nützliche Informationen oder Ratschläge.

Fig. ... Dies verweist auf die betreffende Zeichnung ... auf den Seiten 2 und 3 dieses Handbuchs.

Bedeutung der Symbole auf dem Gerät selbst:



Gefahr eines Stromschlags. Nur an eine geerdete Steckdose anschließen, die durch einen Fehlerstromschutzschalter geschützt ist.



Dieses Gerät entspricht den geltenden EU-Normen.



Dieses Gerät darf nicht mit dem normalen Hausmüll entsorgt werden, sondern muss zum Recycling getrennt gesammelt werden.

Anwendung

Trommelfilter, geeignet als Vorfilter für ein pumpengespeistes biologisches Filtersystem für Koi- und Fischeiche bis zu 30.000 Liter.



Geeignet für Wassertemperaturen von minimal 4°C bis maximal 40°C. Bei Wassertemperaturen unter oder über diesen Werten muss das Gerät vollständig vom Wasserkreislauf getrennt werden.

- Das Wasser im Filter darf auf keinen Fall einfrieren, lassen Sie das Wasser ab und stellen Sie sicher, dass der Filter trocken ist.
- Nicht verwenden zur Filtration von Salzwasser, Abwasser, brennbaren, ätzenden und/oder explosiven Flüssigkeiten (z. B. Petroleum, Benzin, Lösungsmittel), Fetten, Ölen oder Lebensmitteln.
- Betreiben Sie das Gerät niemals ohne Wasser.
- Nicht für Schwimmbecken verwenden und nicht an die Trinkwasserversorgung anschließen.
- Stellen Sie den Filter an einen trockenen und geschützten Ort. Nicht im direkten Sonnenlicht.

Sicherheitshinweise

Befolgen Sie stets die nachstehenden Sicherheitshinweise zur sicheren Verwendung des Geräts. Die Nichtbeachtung dieser Anweisungen kann Personen oder die Umgebung gefährden.

Die spezifischen Sicherheitshinweise des UVC-Gerätes finden Sie in der Gebrauchsanweisung des Tauch-UVC.



- Dieses Gerät muss über einen Fehlerstrom-Schutzschalter mit einem Bemessungsfehlerstrom von maximal 30 mA versorgt sein.
- Stellen Sie sicher, dass die auf dem Typenschild angegebene Spannung mit der Netzspannung übereinstimmt.
- Dieses Gerät muss an eine geerdete Steckdose angeschlossen werden.
- Schützen Sie die Steckdose und die Stecker vor Feuchtigkeit. Verwenden Sie eine Tropfschleife, um sicherzustellen, dass kein Wasser über das Netzkabel in die Steckdose und in die Control-Box gelangen kann (siehe Fig. A).
- Stellen Sie die Control-Box an einem trockenen, vor Feuchtigkeit und Überflutung geschützten Platz auf.
- Verwenden Sie das Gerät nicht, wenn elektrische Bauteile, Kabel oder Stecker beschädigt sind. Ein beschädigtes Kabel oder Stecker kann nicht ersetzt werden. Tauschen Sie das komplette Bauteil aus oder geben Sie das Gerät zur Reparatur oder zum Recyclen an Ihren Händler zurück.
- Seien Sie vorsichtig mit der Kombination von Wasser und Strom. Nicht mit nassen Händen bedienen. Trocknen Sie die Hände, bevor Sie Wartungsarbeiten durchführen.
- Verwenden Sie das Gerät niemals, wenn sich Personen im Wasser befinden.
- Schalten Sie vor der Wartung immer alle Geräte im Teich aus. Ziehen Sie den/die Stecker aus der Steckdose.
- Wenn Sie die Abdeckung zur Wartung öffnen, schalten Sie das Gerät immer aus und ziehen Sie den Netzstecker der Control-Box.



- Dieses Gerät enthält rotierende Teile, bitte achten Sie darauf, dass sich keine locker sitzende Bekleidung, Haare oder Schmuck hierin verfangen können
- Dieses Gerät sollte nur eingeschaltet werden, wenn der Wasserfluss ausreichend ist.
- Im Falle von Frost oder Frostgefahr sind geeignete Vorkehrungen zu treffen, um einen Frostschaden zu verhindern.
- Dieses Gerät kann von Kindern ab 8 Jahren und Personen mit eingeschränkten physischen, sensorischen oder mentalen Fähigkeiten oder mangelnder Erfahrung und Kenntnis verwendet werden, wenn sie hierbei beaufsichtigt werden oder Anweisungen zum sicheren Gebrauch des Geräts erhalten haben und die damit verbundenen Gefahren verstehen. Kinder dürfen nicht mit dem Gerät spielen. Die Reinigung und Wartung des Geräts durch den Benutzer darf nicht von Kindern ohne Aufsicht durchgeführt werden.
- Änderungen am Gerät können die Sicherheit beeinträchtigen. Die Garantie verfällt ebenfalls.
- Aquadistri haftet nicht für Probleme, Schäden oder Unfälle, die auf eine unsachgemäße Verwendung dieses Geräts zurückzuführen sind.

Funktion

Komplettes wartungsarmes Vorfiltersystem, bestehend aus einer Kammer mit Trommelfilter und UVC. Der Trommelfilter funktioniert als Vorfilter und siebt den Schmutz aus dem Wasser. Wenn das Sieb komplett verschmutzt ist, spült ein automatisches Sprühsystem das Sieb sauber, und der Schmutz läuft in einen Abfluss. Das eingebaute UVC hält das Algenwachstum unter Kontrolle.

Installation

Fig. B Bestimmen Sie den Standort des Filters. Sorgen Sie für einen trockenen, geschützten Platz (nicht in direktem Sonnenlicht) auf einer stabilen ebenen Fläche mit ausreichend Platz für die Wartung.

- ⚠ **ACHTUNG!** Achten Sie darauf, dass der Filter vollständig abgestützt und waagrecht oberhalb des Wasserspiegels des Teiches steht.
- Platzieren Sie eine geeignete Pumpe (max. Pumpenleistung 17.500 L/h) vorzugsweise im tiefsten Teil des Teiches.
- Schließen Sie die Pumpe mit einer flexiblen Manschette an einen der Einlässe (a) (ø 110 mm) des Filters an. Verschließen Sie den anderen Eingang mit der mitgelieferten Kappe.
- ⚠ **ACHTUNG!** Die Rohranschlüsse (ø 110 mm) am Filter können NICHT geklebt werden, verwenden Sie flexible Gummimanschetten.
- Schließen Sie die beiden Auslässe (b) (ø 110 mm) mit flexiblen Manschetten an den biologischen Filter an.
- Schließen Sie den Abfluss (c) (ø 110 mm) mit einer flexiblen Manschette an ein Abwasserrohr (z. B. Kanalisation) an.

Fig. C Schließen Sie die T.I.P.-Spülpumpe (k) an das Sprühsystem (l) an. Siehe auch die Anweisung für die T.I.P.-Pumpe.

- Schrauben Sie von Hand ein PVC-Gewindestück (32/40 x 1" PN16) in den Druckanschluss (p), damit Sie ein PVC-Rohr (ø 32 mm) an die Zuleitung (l) des Sprühsystems anschließen können.
- Schrauben Sie außerdem ein PVC-Gewindestück in den Sauganschluss (q), damit Sie ein PVC-Rohr (ø 32 mm) mit einem T-Stück an die Leitung zwischen Trommelfilter und Biofilter anschließen können.
- ⚠ **ACHTUNG!** Stellen Sie sicher, dass die Spülpumpe eingeschaltet ist, wenn Sie das System in Betrieb nehmen. Der Ein/Aus-Schalter befindet sich oben an der Spülpumpe.

Fig. D Platzieren Sie die Tauch-UVC (u) (siehe UVC-Gebrauchsanweisung zur korrekten Installation).

- Schalten Sie die Teichpumpe ein, so dass der Filter mit Wasser gefüllt wird und überprüfen Sie alle Anschlüsse, Leitungen usw. auf Dichtheit. Schalten Sie dann die Teichpumpe wieder aus.
- Prüfen Sie, ob die Tauch-UVC vollständig unter Wasser steht. Der UVC darf nur eingeschaltet werden, wenn er vollständig untergetaucht ist.

Fig. E Stellen Sie die Control-Box (h) an einen sicheren und trockenen Ort in der Nähe des Filters.

- Verbinden Sie das Kabel (f) des Schwimmers (s) mit dem Kabel (g) der Control-Box. Diese DMX-Verbindung ist wasserdicht und daher manchmal etwas schwierig zu verbinden (ggf. den Gegenstecker (f) außen etwas zusammendrücken, während der andere Stecker eingesteckt wird). Ziehen Sie die Überwurfmutter handfest an.
- Stecken Sie die Stecker von Spülpumpe (k), Tauch-UVC (u), Elektromotor (m) und Teichpumpe (d) in die entsprechenden Buchsen der Control-Box. Siehe Angaben auf der Control-Box. Versehen Sie die Kabel mit Tropfschlaufen, damit kein Wasser an den Kabeln im Schaltkasten entlanglaufen kann.
- Stecken Sie den Stecker der Control-Box in die Steckdose, achten Sie darauf, dass auch hier eine Tropfschleife angebracht ist.
- Schalten Sie das Ganze mit dem Schalter (w) am unteren Rand der Control-Box ein. Die Teichpumpe und die UVC sind nun eingeschaltet.
- Der Filter füllt sich bis zur unteren Position des Schwimmers (Filtrationsmodus).

Fig. F Der Schwimmer hat drei verschiedene Schaltstellungen. Die unterste Stellung ist der normale Filtrationsmodus (Teichpumpe und UVC sind aktiviert), die mittlere Stellung ist der Reinigungsmodus (Teichpumpe, UVC und der Elektromotor und die Spülpumpe sind aktiviert). Die höchste Stellung ist der Sicherheitsmodus (alles ist ausgeschaltet / Niveauschutz). Dieser Schwimmer ist auf der richtigen Höhe eingestellt und kann nicht verstellt werden.

- Überprüfen Sie nun manuell den Betrieb des Elektromotors und der Spülpumpe (Reinigungsmodus). Halten Sie die Drucktaste (v) an der Control-Box 10 Sekunden lang gedrückt. Die Trommel (o) dreht sich und das Sprühsystem (n) reinigt das Sieb mit hohem Druck. Das Spülwasser und der Schmutz werden im Ablauf (c) gesammelt.
- Dieser Reinigungsmodus wird normalerweise automatisch alle 20 bis 30 Minuten aktiviert. Wenn das Sieb mit Schmutz gesättigt ist, steigt der Wasserstand in der vorderen Kammer an, wodurch der Schwimmer den Reinigungsmodus aktiviert. Die Trommel rotiert und das Sieb wird unter hohem Druck gereinigt. Der Wasserstand sinkt dann wieder ab, wodurch der Filtrationsmodus aktiviert wird.
- ⚠ **ACHTUNG!** Am Anfang (nach der Installation und Inbetriebnahme des Teiches) wird die Zeit zwischen den Spülungen kürzer sein. Wenn die Verschmutzung durch Schwebstoffe abnimmt, erhöht sich die Zeit zwischen den Spülvorgängen.
- Sollte der Wasserstand in der Vorkammer weiter ansteigen, aktiviert der Schwimmer automatisch den Sicherheitsmodus. Die Teichpumpe, UVC, Spülpumpe und der Elektromotor werden dann ausgeschaltet.
- ⚠ **ACHTUNG!** Da das Sieb automatisch mit Wasser aus dem Filter gespült wird, haben Sie wenig Wartungsaufwand für das Filtersystem. Der Wasserstand des Teiches muss jedoch täglich nachgefüllt werden. Dies kann je nach Anzahl der Spülungen bis zu 100 Liter pro Tag betragen.
- Das Wasser fließt durch beide Auslässe (b) zum biologischen Filter.
- Setzen Sie die Abdeckung (j) auf das Gehäuse. Beim Abnehmen der Abdeckung muss die Stromzufuhr immer unterbrochen werden!

Wartung

- Der Trommelfilter muss einmal im Monat kurz gewartet werden.
- ⚡ Ziehen Sie den/die Stecker aus der Steckdose, bevor Sie Wartungsarbeiten durchführen!
- Nehmen Sie die Abdeckung vom Gehäuse ab.
- Drehen Sie die Trommel von Hand und prüfen Sie das Sieb auf Verschleiß und eventuelle Beschädigungen (siehe Text: Sieb austauschen, für weitere Informationen).
- Prüfen Sie die Abflussrinne und entfernen Sie eventuell angesammelten Schmutz oder Fadenalgen.
- Die Wartung des Tauch-UVC entnehmen Sie der beiliegenden Gebrauchsanweisung.

Siebplatte austauschen

- Bei Verschleiß oder Beschädigung sollte die Siebplatte so schnell wie möglich ausgetauscht werden, um eine optimale Filterleistung zu gewährleisten.
- ⚡ Ziehen Sie den/die Stecker aus der Steckdose und schließen Sie den Wasserkreislauf.
- Nehmen Sie die Abdeckung vom Gehäuse ab.
- Stellen Sie sicher, dass das Wasser aus dem Filter ablaufen kann

- Fig. G** Drehen Sie die Filtertrommel mit der Hand, bis die Befestigungsleiste (y) und die beiden Klemmbänder (z) nach oben zeigen.
- Entfernen Sie die Befestigungsleiste durch Herausdrehen der Schrauben und lösen Sie die Klemmbänder.
 - Entfernen Sie die Siebplatte (x).
 - Legen Sie die neue Siebplatte ein und setzen Sie die Klemmbänder und die Befestigungsleiste wieder korrekt ein.
 - Drehen Sie die Trommel mit der Hand und prüfen Sie, ob sie richtig befestigt ist.
 - Setzen Sie die Abdeckung wieder auf das Gehäuse.
 - Stellen Sie den Wasserkreislauf wieder her und stecken Sie den Stecker wieder ein.
 - Halten Sie den Drucktaster (v) an der Control-Box 10 Sekunden lang gedrückt, damit der Elektromotor und das Sprühsystem wieder aktiviert werden.

Schutz des Elektromotors durch eine Rutschkupplung

- Die Antriebswelle des Elektromotors ist mit einer Sicherheitseinrichtung in Form einer Rutschkupplung ausgestattet. Wenn die Trommel blockiert ist, wird die Kupplung automatisch aktiviert, um ein Durchbrennen des Elektromotors zu verhindern.



- Ziehen Sie den/die Stecker aus der Steckdose und nehmen Sie die Abdeckung vom Gehäuse
- Untersuchen Sie zunächst, warum die Trommel blockiert ist, und stellen Sie sicher, dass sich die Trommel wieder frei drehen kann.
- Danach können Sie die Sicherung aufheben, indem Sie die Sicherungsmutter auf der Antriebswelle mit einem auf 65 Nm eingestellten Drehmomentschlüssel wieder anziehen.



- **ACHTUNG!** Ziehen Sie die Kontermutter niemals mit einem normalen Schraubenschlüssel an. Konsultieren Sie im Zweifelsfall immer einen qualifizierten Techniker!
- Entfernen Sie die Abdeckkappe des Elektromotors (m).
- Stellen Sie den Drehmomentschlüssel auf ein Anzugsdrehmoment von 65 Nm ein.
- Setzen Sie den Drehmomentschlüssel auf die Gegenmutter M10. Die Gegenmutter befindet sich auf der Antriebswelle auf der Rückseite des Motors.
- Halten Sie die Trommel mit der Hand fest und ziehen Sie die Gegenmutter mit dem Drehmomentschlüssel an.
- Prüfen Sie, ob die Rutschkupplung deaktiviert ist. Drehen Sie die Trommel mit der Hand und prüfen Sie, ob sich die Antriebswelle mit dreht.
- Setzen Sie die Abdeckkappe wieder auf den Elektromotor, setzen Sie die Abdeckung auf das Gehäuse und stecken Sie den Stecker wieder ein.

Bypass des Trommelfilters

- Der Trommelfilter kann im Falle einer Behandlung oder eines technischen Problems umgangen werden.




- Schalten Sie die Control-Box aus und nehmen Sie die Abdeckung vom Gehäuse ab.
- Entfernen Sie die roten Kappen (r) aus der Wand zwischen der vorderen Kammer und dem Trommelteil.
- Ziehen Sie den Stecker der Teichpumpe aus der Control-Box und stecken Sie ihn in eine normale Steckdose.
- Das Wasser fließt nun durch diese Löcher in die Trommelfiltersektion und so zum biologischen Filter.



- **ACHTUNG!** Die Control-Box ist ausgeschaltet, daher funktioniert der Niveauschutz nicht mehr!

Recycling

 Dieses Symbol weist darauf hin, dass dieses Produkt (falls es arangiert wird) nicht mit dem normalen Hausmüll entsorgt werden darf. Stattdessen muss es bei einer offiziellen Sammelstelle (z.B. den Wertstoffhöfen Ihrer Stadt oder Gemeinde) abgegeben werden oder es kann beim Kauf eines ähnlichen neuen Produkts an den Händler zurückgegeben werden. Beachten Sie die in Ihrem Land geltenden Vorschriften für die getrennte Entsorgung von elektrischen und elektronischen Produkten. Getrennte Entsorgung und Recycling ist besser für die Umwelt, die öffentliche Gesundheit und reduziert den Abfall.

Garantie



2 Jahre Herstellergarantie auf Material- und Konstruktionsfehler. Geräte müssen komplett mit allen Komponenten zusammen und einem offiziellen Kaufbeleg, der das Kaufdatum bestätigt, zurückgeschickt werden, damit Garantieansprüche geltend gemacht werden können. Unvollständige Geräte, von denen Teile fehlen, und Geräte ohne Kaufnachweis kommen für die Garantie nicht in Frage. Nach Erhalt und Prüfung entscheiden wir, ob das Gerät repariert oder ersetzt wird. Für ein Gerät, das im Rahmen der Garantie repariert oder ersetzt wurde, gilt die Restdauer der ursprünglichen Garantiezeit. Lesen Sie die Anweisungen zu Installation, Gebrauch und Wartung sorgfältig durch. Schäden durch unsachgemäßen Gebrauch, durch Verschmutzung und nicht Reinigen des Gerätes, Glasbruch und Beschädigung des Kabels sind nicht durch die Garantie abgedeckt.

Bewahren Sie den Kaufbeleg immer auf, ohne Kaufbeleg erlischt die Garantie!

SuperFish Koi Pro Drum 30000 pré-filtre alimenté par pompage.

Instructions générales



Lisez attentivement ce manuel avant d'utiliser l'appareil. Conservez ce manuel pour ses futures utilisations.

Signification des symboles

Les symboles et / ou mots d'avertissement suivants sont utilisés dans ce manuel :



DANGER !

Cela signifie un danger imminent dû à un choc électrique. Le non-respect des consignes de sécurité peut entraîner des blessures graves ou mortelles et / ou des dommages graves au produit ou à l'environnement.



ATTENTION !

Cela signifie une situation dangereuse. Le non-respect des consignes de sécurité peut entraîner des blessures corporelles mineures ou légères et / ou des dommages au produit ou à l'environnement.



REMARQUE !

Cela signifie prudence, informations utiles ou conseils.

Fig. ... Il s'agit du schéma correspondant ... aux pages 2 et 3 de ce manuel.

Signification des symboles sur l'appareil lui-même :



Risque de choc électrique. Branchez-vous uniquement sur une prise de courant mise à la terre et protégée par un disjoncteur différentiel.



Cet appareil est conforme aux normes européennes applicables.



Cet appareil ne doit pas être jeté avec les ordures ménagères normales mais doit être collecté séparément pour être recyclé.

Utilisation

Filtre à tambour, convenant comme pré-filtre pour un système de filtration biologique alimenté par pompage, adapté aux bassins de Koi et de poissons jusqu'à 30 000 litres.



Convient pour des températures d'eau de 4°C minimum à 40°C maximum. Lorsque la température de l'eau est inférieure ou supérieure à ces valeurs, l'appareil doit être complètement déconnecté du circuit d'eau.

- L'eau à l'intérieur du filtre ne doit jamais geler, vidangez l'eau et assurez-vous que le filtre est sec.
- Ne pas utiliser pour la filtration d'eau salée, d'eau d'égout, de liquides inflammables, corrosifs et/ou explosifs (par exemple, pétrole, essence, solvants), de graisses, d'huiles ou de produits alimentaires.
- Ne jamais faire fonctionner l'appareil sans eau.
- Ne pas utiliser pour les piscines et ne pas le raccorder à une alimentation en eau potable.
- Placez le filtre dans un endroit sec et abrité. Ne pas l'exposer à la lumière directe du soleil.

Sécurité

Suivez toujours les instructions de sécurité ci-dessous pour une utilisation sûre de l'appareil. Le non-respect de ces instructions peut mettre en danger les personnes ou l'environnement.

Veillez vous référer au manuel d'utilisation de l'UVC immergé pour les instructions de sécurité spécifiques de l'appareil UVC.

 • Cet appareil doit être alimenté par un disjoncteur différentiel dont le courant de défaut nominal ne dépasse pas 30 mA.

- Assurez-vous que la tension indiquée sur l'étiquette correspond à la tension d'alimentation secteur.
- Cet appareil doit être connecté à une prise de courant reliée à la terre.
- Protégez la prise et les fiches contre l'humidité. Utilisez une boucle d'égouttement pour vous assurer que l'eau ne peut pas atteindre la prise et le boîtier de contrôle via les câbles d'alimentation (voir *Fig. A*).
- Placez le boîtier de commande dans un endroit sec, protégé de l'humidité et des inondations.
- N'utilisez pas l'appareil si des composants électriques, des cordons ou des fiches sont endommagés. Un cordon ou une fiche endommagé(e) ne peut être remplacé(e). Remplacez la pièce complète ou renvoyez l'appareil à votre revendeur pour réparation ou recyclage.
- Soyez prudent : eau et électricité ne font pas bon ménage. Ne pas utiliser avec les mains mouillées. Séchez-vous les mains avant d'effectuer l'entretien.
- N'utilisez jamais l'appareil lorsqu'il y a des gens dans l'eau.
- Éteignez toujours tous les appareils du bassin avant l'entretien. Débranchez la ou les fiches de la prise.
- Lorsque vous ouvrez le couvercle pour l'entretien, éteignez toujours l'appareil et débranchez le boîtier de commande.

 • Cet appareil contient des pièces rotatives, évitez que les vêtements amples, les cheveux longs et les bijoux ne soient pris dans celles-ci.

- Cet appareil ne peut être mis en marche que si le débit d'eau est suffisant.
- En cas de gel ou de risque de gel, des précautions appropriées doivent être prises pour éviter que la lampe ne gèle.
- Cet appareil peut être utilisé par des enfants âgés de 8 ans et plus et des personnes ayant des capacités physiques, sensorielles ou mentales réduites ou un manque d'expérience et de connaissances, s'ils ont reçu une supervision ou des instructions concernant l'utilisation de l'appareil de manière sûre et comprendre les dangers impliqués. Les enfants ne peuvent pas jouer avec l'appareil. Le nettoyage et l'entretien par l'utilisateur de l'appareil ne doivent pas être effectués par des enfants sans surveillance.
- Les modifications apportées à l'appareil peuvent affecter la sécurité. La garantie expirera également.
- Aquadistri n'est pas responsable des problèmes, dommages ou accidents dus à une utilisation incorrecte de cet appareil.

Fonctionnement

Système complet de pré-filtration nécessitant peu d'entretien, composé d'une chambre avec un filtre à tambour et un UVC. Le filtre à tambour fonctionne comme un pré-filtre et tamise la saleté de l'eau. Si le tamis est saturé de saletés, un système de pulvérisation automatique le rince et les saletés s'écoulent dans un drain. L'UVC intégré permet de contrôler la croissance des algues.

Installation

Fig. B Déterminez l'emplacement du filtre. Prévoyez un endroit sec et abrité (pas en plein soleil) et une surface stable et plate avec suffisamment d'espace autour pour l'entretien.

- ⚠ **ATTENTION !** Veillez à ce que le filtre soit positionné de manière à être entièrement soutenu et de niveau, au-dessus du niveau d'eau du bassin.
- Placez une pompe appropriée (capacité maximale de la pompe : 17 500 L/h) de préférence dans la partie la plus profonde du bassin.
- Raccordez la pompe à l'une des entrées (a) (ø 110 mm) du filtre à l'aide d'un manchon flexible. Fermez l'autre entrée avec le bouchon fourni.
- ⚠ **ATTENTION !** Les raccords de tuyaux (ø 110 mm) sur le filtre ne peuvent PAS être collés, utilisez des manchons flexibles en caoutchouc.
- Raccordez les deux sorties (b) (ø 110 mm) au filtre biologique à l'aide de manchons flexibles.
- Raccordez la sortie Drain (c) (ø 110 mm) à une évacuation (par exemple, un égout) à l'aide d'un manchon flexible.

Fig. C Connectez la pompe de rinçage T.I.P. (k) au système de pulvérisation (l). Voir également le mode d'emploi de la pompe T.I.P.

- Vissez à la main un raccord fileté en PVC (32/40 x 1" PN16) dans le raccord de refoulement (p) afin de pouvoir raccorder un tuyau en PVC (ø 32 mm) au tuyau d'alimentation (l) du système de pulvérisation.
- Vissez également un raccord fileté en PVC dans le raccord d'aspiration (q) afin de pouvoir raccorder un tuyau en PVC (ø 32 mm) au tuyau entre le filtre à tambour et le biofiltre avec une pièce en T.
- ⚠ **ATTENTION !** Assurez-vous que la pompe de rinçage est allumée lorsque vous mettez le système en service. L'interrupteur marche/arrêt est situé en haut de la pompe de rinçage.

Fig. D Installez l'UVC immergeable (u) (consultez le manuel d'utilisation séparé de l'UVC pour une installation correcte).

- Mettez la pompe du bassin en marche pour remplir le filtre d'eau et vérifiez l'étanchéité de tous les raccords, tuyaux, etc. Puis arrêtez de nouveau la pompe du bassin.
- Vérifiez si l'UVC est complètement immergé. L'UVC ne doit être mis en marche que s'il est complètement sous l'eau.

Fig. E Placez le boîtier de commande (h) dans un endroit sûr et sec à proximité du filtre.

- Connectez le câble (f) du flotteur (s) avec le câble (g) du boîtier de commande. Cette connexion DMX est étanche et donc parfois difficile à mettre en place (si nécessaire, pressez un peu l'extérieur de la fiche (f) tout en insérant l'autre fiche). Serrez l'écrou-raccord à la main.
- Insérez les fiches de la pompe de rinçage (k), de l'UVC immergé (u), de l'électromoteur (m) et de la pompe de bassin (d) dans les prises correspondantes du boîtier de commande. Voir les marquages sur le boîtier de commande. Réalisez des boucles d'égouttement sur les câbles afin d'éviter que l'eau ne coule le long des câbles jusque dans le boîtier de commande.
- Branchez le boîtier de commande au secteur, en veillant à ce qu'il y ait aussi une boucle d'égouttement.
- Activez le système à l'aide de l'interrupteur (w) situé sur la partie inférieure du boîtier de commande. La pompe du bassin et l'UVC sont maintenant activés.
- Le filtre se remplit jusqu'à la position la plus basse du flotteur (mode Filtration).

Fig. F Le flotteur a trois positions différentes. La position la plus basse est le mode de filtration normal (la pompe du bassin et l'UVC sont activés), la position intermédiaire est le mode de nettoyage (la pompe du bassin, l'UVC, l'électromoteur et la pompe de rinçage sont activés). La position la plus haute est le mode Sécurité (tout est éteint/protection du niveau). Ce flotteur est réglé à la bonne hauteur et n'est pas réglable.

- Vérifiez maintenant manuellement le fonctionnement de l'électromoteur et de la pompe de rinçage (mode nettoyage). Appuyez sur le bouton poussoir (v) du boîtier de commande et maintenez-le enfoncé pendant 10 secondes. Le tambour (o) commence à tourner et le système de pulvérisation (n) asperge à haute pression le tamis. L'eau de rinçage et les saletés sont collectées dans le drain (c).
- Ce mode de nettoyage est normalement activé automatiquement toutes les 20 à 30 minutes. Au fur et à mesure que le tamis est saturé de saletés, le niveau d'eau dans la chambre avant augmente, ce qui entraîne l'activation du mode de nettoyage par le flotteur. Le tambour tourne et le tamis est nettoyé sous haute pression. Le niveau d'eau redescend ensuite, activant le mode Filtration.
- ⚠ **ATTENTION !** Au début (après l'installation et la mise en route du bassin), le temps entre les rinçages sera plus court. Au fur et à mesure que la pollution par les débris flottants diminue, le temps entre les rinçages augmente.
- Si le niveau d'eau dans la chambre avant continue à monter, le flotteur active automatiquement le mode Sécurité. La pompe du bassin, l'UVC, la pompe de rinçage et le moteur électrique sont arrêtés.
- ⚠ **ATTENTION !** Comme le tamis est automatiquement rincé avec l'eau du filtre, le système de filtration nécessite peu d'entretien. Cependant, le niveau d'eau du bassin doit être réapprovisionné quotidiennement. Cela peut aller jusqu'à 100 litres par jour, en fonction du nombre de rinçages.
- L'eau s'écoule par les deux sorties (b) vers le filtre biologique.
- Placez le couvercle (j) sur le filtre. Lorsque vous retirez le couvercle, débranchez toujours l'alimentation électrique !

Entretien

- Le filtre à tambour nécessite un bref entretien une fois par mois.
- ⚡ Avant de procéder à l'entretien, débranchez la ou les fiches du réseau électrique !
- Retirez le couvercle du filtre.
- Tournez le tambour à la main et vérifiez l'usure et les dommages éventuels de l'écran de tamisage (voir texte : Remplacement de l'écran de tamisage pour plus d'informations).
- Contrôlez le canal d'évacuation (drain) et enlevez les saletés ou les algues filamenteuses qui ont pu s'accumuler.
- Consultez le manuel d'utilisation séparé pour l'entretien de l'UVC.

Remplacement de l'écran de tamisage

- En cas d'usure ou d'endommagement, l'écran de tamisage doit être remplacé dès que possible pour garantir une performance optimale du filtre.
- ⚡ Retirez la ou les fiches de la prise et fermez le circuit d'eau.
- Retirez le couvercle du filtre.
- Assurez-vous que l'eau peut s'écouler du filtre.

Fig. G Tournez le tambour à la main jusqu'à ce que la bande de montage (y) et les deux bandes de serrage (z) soient dirigées vers le haut.

- Retirez la bande de montage en dévissant les vis et desserrez les bandes de serrage.
- Retirez l'écran de tamisage (x).
- Insérez le nouveau tamis et réinstallez correctement les bandes de serrage et la bande de montage.
- Faites tourner le tambour à la main et vérifiez que tout est correctement fixé.
- Remettez le couvercle sur le filtre.
- Rétablissez le circuit d'eau et rebranchez la ou les prises.
- Appuyez sur le bouton-poussoir (v) du boîtier de commande et maintenez-le enfoncé pendant 10 secondes afin que l'électromoteur et le système de pulvérisation soient à nouveau activés.

Protection du moteur électrique au moyen d'un embrayage à friction

- L'arbre d'entraînement de l'électromoteur est protégé par un embrayage à friction. Si le tambour se bloque, l'embrayage à friction est automatiquement activé pour éviter que le moteur électrique ne s'éteigne.



- Débranchez la ou les fiches du secteur et retirez le couvercle du filtre.
- Tout d'abord, recherchez la raison pour laquelle le tambour est bloqué et assurez-vous que le tambour peut à nouveau tourner librement.
- Ensuite, vous pouvez libérer la protection en resserrant le contre-écrou de l'arbre d'entraînement avec une clé dynamométrique réglée à 65 Nm.



- **ATTENTION !** Ne serrez jamais le contre-écrou avec une clé normale. En cas de doute, consultez toujours un technicien qualifié !
- Retirez le couvercle du moteur électrique (m).
- Réglez la clé dynamométrique à un couple de serrage de 65 Nm.
- Placez la clé dynamométrique sur le contre-écrou M10. Le contre-écrou est situé sur l'arbre d'entraînement à l'arrière du moteur.
- Tenez le tambour avec votre main et serrez le contre-écrou avec la clé dynamométrique.
- Vérifiez que l'embrayage à friction est désactivé. Tourner le tambour à la main et vérifier que l'arbre d'entraînement tourne avec lui.
- Remettre le couvercle sur l'électromoteur, le couvercle sur le filtre et la ou les fiches sur le secteur.

Contournement du filtre à tambour (Bypass)

- Le filtre à tambour peut être contourné en cas de traitement ou de problème technique.




- Mettez le boîtier de commande hors tension et retirez le couvercle du filtre.
- Retirez les capuchons rouges (r) de la paroi entre la chambre avant et la chambre du tambour.
- Retirez la fiche de la pompe de bassin du boîtier de commande et branchez-la directement dans une autre prise.
- L'eau s'écoule maintenant par ces trous dans la section du filtre à tambour et donc vers le filtre biologique.




- **ATTENTION !** Le boîtier de commande est éteint, ce qui signifie que la protection de niveau ne fonctionne plus non plus !

Recyclage

 Ce symbole indique que ce produit (s'il est jeté) ne peut pas être éliminé avec les ordures ménagères normales. Au lieu de cela, il doit être déposé dans un centre de collecte officiel, ou peut être retourné au revendeur lors de l'achat d'un nouveau produit similaire. Suivez les règles applicables dans votre pays pour la collecte séparée des produits électriques et électroniques. La collecte et le recyclage séparés sont meilleurs pour l'environnement, la santé publique et réduisent les déchets.

Garantie

 Garantie du fabricant de 2 ans sur les défauts de matériaux et de construction. Les appareils doivent être retournés complets avec tous les composants, accompagnés d'une preuve d'achat officielle confirmant une date d'achat pour toute réclamation sous garantie. Les appareils incomplets dont des pièces sont manquantes et les appareils sans preuve d'achat ne sont pas éligibles à la garantie. Après réception et vérification, nous déterminerons si l'appareil sera réparé ou remplacé. Pour un appareil réparé ou remplacé sous garantie, le temps restant de la période de garantie d'origine s'applique. Lisez attentivement les instructions d'installation, d'utilisation et d'entretien. Les dommages dus à une mauvaise utilisation, les dommages dus à la contamination par un détergent, les dommages dus au manque d'entretien et de nettoyage, les bris de verre et les dommages au câble, ne sont pas couverts par la garantie.

Gardez toujours la preuve d'achat, sans preuve d'achat la garantie sera annulée !

SuperFish Koi Pro Drum 30000 Pompevoed voorfilter.

Algemene instructies



Lees deze gebruiksaanwijzing zorgvuldig door voordat u het apparaat in gebruik neemt. Bewaar deze gebruiksaanwijzing voor toekomstig gebruik.

Betekenis van symbolen

De volgende waarschuwingssymbolen en/of signaalwoorden worden in deze gebruiksaanwijzing gebruikt:



GEVAAR!

Dit betekent een dreigend gevaar door elektrische schok, indien de veiligheidsinstructies niet worden opgevolgd kan dit leiden tot ernstig of dodelijk letsel en/of ernstige schade aan het product of omgeving.



WAARSCHUWING!

Dit betekent een gevaarlijke situatie, indien de veiligheidsinstructies niet worden opgevolgd kan dit leiden tot gemiddeld of licht lichamelijk letsel en/of schade aan het product of omgeving.



OPMERKING!

Dit betekent voorzichtig, nuttige informatie of advies.

Fig. ... Dit verwijst naar de betreffende tekening ... op pagina 2 en 3 van deze gebruiksaanwijzing.

Betekenis van de symbolen op het apparaat zelf:



Risico op elektrische schokken. Alleen aansluiten op een geaard stopcontact, beveiligd met een aardlekschakelaar (ALS).



Dit apparaat voldoet aan de geldende EU normen.



Dit apparaat mag niet met het normale huishoudelijk afval afgedankt worden, maar moet gescheiden worden ingezameld voor recycling.

Toepassing

Trommelfilter, geschikt als voorfilter voor een pompgevoed biologisch filtersysteem voor Koi- en visvijvers tot 30.000 liter.



- Geschikt voor watertemperaturen van minimaal 4°C tot maximaal 40°C. Bij watertemperaturen beneden of boven deze waarden, dient het apparaat volledig van het watercircuit worden afgesloten.
- Het water in het filter mag nooit bevroren, laat het water weglopen en zorgt dat het filter droog is.
- Niet gebruiken voor de filtratie van zoutwater, rioolwater, ontvlambare, bijtende en/of explosieve vloeistoffen (bv. petroleum, benzine, oplosmiddelen), vetten, oliën of voedingsmiddelen.
- Nooit gebruiken zonder doorstromend water.
- Niet gebruiken voor zwembaden en niet aansluiten op drinkwatervoorzieningen.
- Plaats het filter op een droge en beschutte plaats. Niet in direct zonlicht.

Veiligheid

Neem de onderstaande veiligheidsinstructies altijd in acht voor een veilig gebruik van het apparaat. Het niet in acht nemen van deze instructies kan gevaar opleveren voor personen of de omgeving.

Zie de gebruiksaanwijzing van de pomp UVC voor de specifieke veiligheidsinstructies van het UVC-apparaat.



- Dit apparaat moet van stroom worden voorzien via een aardlekschakelaar (ALS) met een nominale lekstroom van maximaal 30 mA.
- Controleer of de spanning die op het label wordt aangegeven, overeenkomt met de netspanning.
- Dit apparaat moet worden aangesloten op een geaard stopcontact.
- Bescherm het stopcontact en de stekkers tegen vocht. Zorg door middel van een druppellus dat water niet via het netsnoeren in de control-box en het stopcontact kan komen (zie Fig. A).
- Plaats de control-box op een droge plaats, beschermd tegen vocht en overstroming.
- Het apparaat niet gebruiken bij schade aan elektrische onderdelen, snoeren of stekkers. Een beschadigde snoer of stekker kan niet worden vervangen. Vervang het complete onderdeel of bied het apparaat bij uw dealer aan voor reparatie of recycling.
- Wees voorzichtig met de combinatie van water en elektriciteit. Niet bedienen met natte handen. Droog uw handen voordat u onderhoud uitvoert.
- Het apparaat nooit gebruiken als er mensen in het water zijn.
- Schakel voor onderhoud altijd alle apparaten in de vijver uit. Haal de stekker(s) uit het stopcontact.
- Bij het openen van het deksel voor onderhoud, altijd het apparaat uitschakelen en de stekker van de control-box uit het stopcontact halen.



- Dit apparaat bevat draaiende delen, voorkom dat loshangende kleding, lange haren en sieraden hierdoor gegrepen worden.
- Dit apparaat mag alleen ingeschakeld zijn als er voldoende waterdoorstroom is.
- Bij (kans op) vorst dienen passende voorzorgsmaatregelen te worden genomen, om bevroering te voorkomen.
- Dit apparaat kan worden gebruikt door kinderen vanaf 8 jaar en door personen met verminderde lichamelijke, zintuiglijke of geestelijke capaciteiten of weinig ervaring en kennis, mits zij onder toezicht staan of instructies hebben gekregen voor veilig gebruik van dit apparaat en begrijpen welke gevaren het gebruik met zich mee kan brengen. Kinderen mogen niet met dit apparaat spelen. Kinderen mogen het apparaat niet zonder toezicht reinigen of onderhouden.
- Wijzigingen aan het apparaat kunnen gevolgen hebben voor de veiligheid. Ook de garantie komt hierbij te vervallen.
- Aquadistri is niet aansprakelijk voor eventuele problemen, schade of ongevallen door verkeerd gebruik van dit apparaat.

Functie

Compleet onderhoudsarm voorfiltersysteem, bestaande uit een kamer met een trommelfilter en UVC. Het trommelfilter werkt als voorfilter en zeeft het vuil uit het water. Als de zeef verzadigd is met vuil, spoelt een automatisch sproeisysteem de zeef schoon waarbij het vuil in een afvoer loopt. De ingebouwde UVC houdt algengroei onder controle.

Installatie

Fig. B Bepaal de locatie van het filter. Zorg voor een droge, beschutte plaats (niet in de volle zon) en een stabiele, vlakke ondergrond met voldoende ruimte rondom voor onderhoud.

- ⚠ **OPMERKING!** Zorg dat het filter volledig ondersteund en waterpas boven het waterniveau van de vijver staat.
- Plaats een geschikte pomp (max. pompcapaciteit van 17.500 L/h) bij voorkeur in het diepste gedeelte van de vijver.
- Sluit de pomp aan op één van de inlaten (a) (Ø 110 mm) van het filter d.m.v. een flexibele mof. Sluit de andere inlaat af met de meegeleverde afsluitdop.
- ⚠ **OPMERKING!** De buisaansluitingen (Ø 110 mm) op het filter kunnen NIET verlijmd worden, gebruik hiervoor flexibele rubberen moffen.
- Sluit de beide uitlaten (b) (Ø 110 mm) d.m.v. flexibele moffen aan op een biologisch filter.
- Sluit de afvoergoot (c) (Ø 110 mm) d.m.v. een flexibele mof aan op een afvoer (bv. het riool).

Fig. C Sluit de T.I.P. spoelpomp (k) aan op het sproeisysteem (l). Zie ook de gebruiksaanwijzing van de T.I.P. pomp.

- Draai met de hand een PVC draadeind (32/40 x 1" PN16) in de drukaansluiting (p) zodat u een PVC buis (Ø 32 mm) kunt aansluiten op de aanvoerbuis (l) van de sproeisysteem.
- Draai ook een PVC draadeind in de zuigaansluiting (q) zodat u een PVC buis (Ø 32 mm) met behulp van een T-stuk kunt aansluiten op de leiding tussen het trommelfilter en het biologisch filter.
- ⚠ **OPMERKING!** Zorg dat spoelpomp ingeschakeld is als u het systeem in gebruik neemt. De aan/uit-schakelaar bevindt zich aan de bovenzijde van de spoelpomp.

Fig. D Plaats de dompel UVC (u) (zie bijbehorende gebruiksaanwijzing voor de juiste installatie).

- Zet de vijverpomp aan zodat het filter gevuld wordt met water en controleer alle aansluitingen, leidingen, etc. op eventuele lekkages. Zet vervolgens de vijverpomp weer uit.
- Controleer of de dompel UVC zich geheel onder water bevindt. De UVC mag alleen ingeschakeld worden als deze geheel onder water staat.

Fig. E Plaats de control-box (h) op een veilige en droge plaats in de buurt van het filter.

- Verbind de kabel (f) van de vlotter (s) met de kabel (g) van de control-box. Deze DMX-verbinding is waterdicht en gaat daardoor soms lastig in elkaar (knijp eventueel de buitenzijde van de contrastekker (f) een beetje in, terwijl u de andere stekker er in steekt). Draai de wartelmoer handvast aan.
- Steek de stekkers van de spoelpomp (k), dompel UVC (u), elektromotor (m) en vijverpomp (d) in de juiste stopcontacten van de control-box. Zie aanduidingen op de control-box. Voorzie de snoeren van druppellussen zodat er geen water langs de snoeren in de control-box kan lopen.
- Steek de stekker van de control-box in het stopcontact, zorg ook hier voor een druppellus.
- Schakel het geheel in door de switch (w) aan de onderzijde van de control-box om te zetten. De vijverpomp en UVC worden nu ingeschakeld.
- Het filter vult zich tot de onderste stand van de vlotter (Filtratiemodus).

Fig. F De vlotter heeft drie verschillende schakel-standen. De laagste stand is de normale Filtratiemodus (vijverpomp en UVC zijn ingeschakeld) de middelste stand is de Reinigingsmodus (vijverpomp, UVC en de elektromotor en spoelpomp zijn ingeschakeld). De hoogste stand is de Veiligheidsmodus (alles is uitgeschakeld/ niveaubeveiliging) Deze vlotter staat op de juiste hoogte ingesteld en is niet verstelbaar.

- Controleer nu manueel de werking van de elektromotor en spoelpomp (Reinigingsmodus). Houd de drukknop (v) op de control-box 10 seconden ingedrukt. De trommel (o) gaat draaien en het sproeisysteem (n) spuit de zeef onder hoge druk schoon. Het spoelwater en vuil wordt opgevangen in de afvoergoot (c).

- Deze Reinigingsmodus wordt normaliter om de 20 tot 30 minuten automatisch geactiveerd. Naarmate de zeef verzadigd raakt, stijgt het waterniveau in de voorste kamer, waardoor de vlotter de Reinigingsmodus activeert. De trommel gaat draaien en de zeef wordt onder hoge druk gereinigd. Vervolgens daalt het waterniveau weer, waardoor de Filtratiemodus wordt geactiveerd.
- ⚠ **OPMERKING!** In het begin (na installatie en opstarten van de vijver) zal de tijd tussen de spoelbeurten korter zijn. Naarmate de vervuiling door zweefvuil afneemt, zal de tijd tussen spoelbeurten langer worden.
- Mocht het waterniveau in de voorste kamer blijven stijgen, dan activeert de vlotter automatisch de Veiligheidsmodus. De vijverpomp, UVC, spoelpomp en elektromotor worden uitgeschakeld.
- ⚠ **OPMERKING!** Doordat de zeef automatisch wordt schoongespoeld met water uit het filter, heeft u weinig onderhoud aan het filtersysteem. Wel dient het waterniveau van de vijver dagelijks aangevuld te worden. Dit kan tot 100 liter per dag zijn, afhankelijk van het aantal spoelbeurten.
- Het water stroomt via beide uitlaten (b) naar het biologisch filter.
- Plaats het deksel (j) op de behuizing. Bij het verwijderen van het deksel dient de stroomtoevoer altijd onderbroken te zijn!

Onderhoud

- Het trommelfilter heeft ééns per maand kort onderhoud nodig.
- ⚠ **Neem de stekker(s) uit het stopcontact vóór de uitvoering van onderhoud!**
- Haal het deksel van de behuizing.
- Draai de trommel rond met de hand en controleer het zeefpaneel op slijtage en eventuele beschadigingen (zie tekst: Vervangen van het zeefpaneel, voor meer informatie).
- Controleer de afvoergoot en verwijder het eventueel ophopend vuil of draadalgen.
- Zie de bijbehorende gebruiksaanwijzing voor het onderhoud aan de pomp UVC.

Vervangen van het zeefpaneel

- Bij slijtage of beschadiging dient het zeefpaneel zo spoedig mogelijk vervangen te worden voor een optimale werking van het filter.
- ⚠ **Neem de stekker(s) uit het stopcontact en sluit het watercircuit af.**
- Haal het deksel van de behuizing.
- Zorg dat het water uit het filter weg kan lopen.

- Fig. G** Draai de trommel met de hand rond totdat de bevestigingsstrip (y) en beide klembanden (z) naar boven wijzen.
- Verwijder de bevestigingsstrip door de schroeven eruit te draaien en ontkoppel de klembanden.
 - Verwijder het zeefpaneel (x).
 - Plaats het nieuwe zeefpaneel en breng de klembanden en bevestigingsstrip weer op de juiste wijze aan.
 - Draai de trommel met de hand rond en controleer of het geheel juist bevestigd is.
 - Plaats het deksel terug op de behuizing.
 - Herstel het watercircuit en steek de stekker/stekkers weer in het stopcontact.
 - Houd de drukknop (v) op de control-box 10 seconden ingedrukt, zodat de elektromotor en sproeisysteem weer worden geactiveerd.

Beveiliging elektromotor d.m.v. slipkoppeling

- De aandrijfas van de elektromotor is voorzien van een beveiliging d.m.v. een slipkoppeling. Mocht de trommel geblokkeerd raken, dan wordt de slipkoppeling automatisch geactiveerd om doorbranden van de elektromotor te voorkomen.



- Neem de stekker(s) uit het stopcontact en haal het deksel van de behuizing.
- Onderzoek eerst waarom de trommel geblokkeerd wordt en zorg dat de trommel weer vrij kan draaien.
- Hierna kunt u de beveiliging opheffen, door de borgmoer op de aandrijfas opnieuw aan te draaien met een momentsleutel ingesteld op 65 Nm.



- **OPMERKING!** De borgmoer nooit met een normale moersleutel aandraaien. Raadpleeg bij twijfel altijd een erkend installateur!
- Verwijder de afdekkap van de elektromotor (m).
- Stel de momentsleutel in op een aandraaimoment van 65 Nm.
- Plaats de momentsleutel op de M10 borgmoer. De borgmoer bevindt zich op de aandrijfas achterop de motor.
- Houd de trommel met de hand tegen en draai de borgmoer vast met de momentsleutel.
- Controleer of de slipkoppeling gedeactiveerd is. Draai de trommel met de hand rond en controleer of de aandrijfas meedraait.
- Plaats de afdekkap terug op de elektromotor, de deksel op de behuizing en steek de stekker/stekkers terug in het stopcontact.

Bypass van het trommelfilter

- Het trommelfilter kan bij een behandeling of technisch probleem omzeild worden.




- Schakel de control-box uit en haal het deksel van de behuizing.
- Verwijder de rode doppen (r) uit de wand tussen de voorste kamer en het trommelgedeelte.
- Haal de stekker van de vijverpomp uit de control-box en steek deze rechtstreeks in een ander stopcontact.
- Het water stroomt nu via deze gaten in het trommelfiltergedeelte en vervolgens naar het biologisch filter.




- **OPMERKING!** De control-box is uitgeschakeld, hierdoor werkt de niveaubeveiliging ook niet meer!

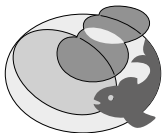
Recycling

 Dit symbool geeft aan dat dit product (als het wordt afgedankt) niet samen met het gewone huishoudelijk afval mag worden weggegooid, maar moet worden ingeleverd bij een officieel inzamelpunt (bv. Milieustraat), of kan worden ingeleverd bij het verkooppunt tijdens de aankoop van een vergelijkbaar nieuw product. Volg de in uw land geldende regels voor het gescheiden verzamelen van elektrische en elektronische producten. Gescheiden inzameling en recycling is beter voor het milieu, de volksgezondheid en zorgt voor minder afval.

Garantie

 2 jaar fabrieksgarantie op materiaal en constructiefouten. Het apparaat dient compleet, met alle onderdelen en het originele aankoopbewijs met daarop de aankoopdatum, ter garantie aangeboden worden. Een apparaat waarvan onderdelen missen of zonder aankoopbewijs komt niet in aanmerking voor garantie! Na ontvangst zullen wij het apparaat controleren. Daarna wordt door ons bepaald of het apparaat in aanmerking komt voor reparatie of vervanging. Voor een apparaat dat onder garantie is gerepareerd of vervangen, is de resterende tijd van de oorspronkelijke garantieperiode van toepassing. Lees de instructies over installatie, gebruik en onderhoud zorgvuldig door. Schade door verkeerd gebruik, door vervuiling of het niet reinigen van het apparaat, glasbreuk en schade aan het snoer, vallen niet onder de garantie.

Bewaar altijd het aankoopbewijs, zonder aankoopbewijs kunt u geen aanspraak maken op garantie!



AQUADISTRI

www.aquadistri.com

Vlietweg 8, NL-4791 EZ Klundert The Netherlands, info@aquadistri.com

Date of purchase / Kaufdatum / Date d'achat / Aankoopdatum: _____ - _____ - _____
Dealer stamp / Händlerstempel / Sceau du point de vente / Dealerstempel



11-2022.MH